

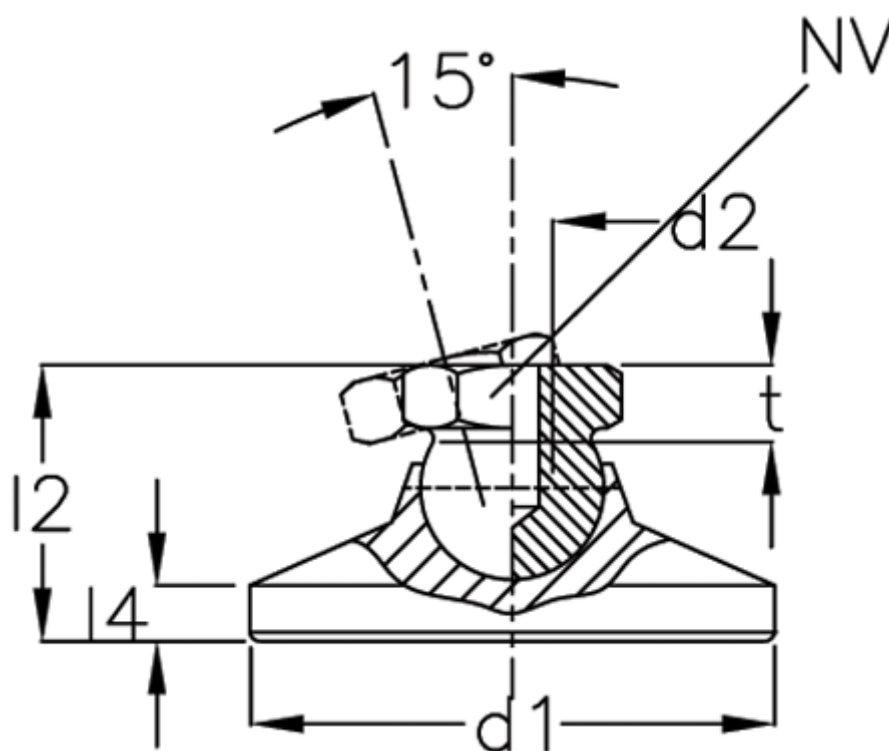
Data Sheet



Article number: 20343140M10KRE

Description: E+G levelling foot
GN 343.1-40-M10-KRE

Measures



d_1	= 40
d_2	= 10
l_2	= -
l_4	= -
NV	= 15
Static load (kN)	= 20
t min	= 10.5